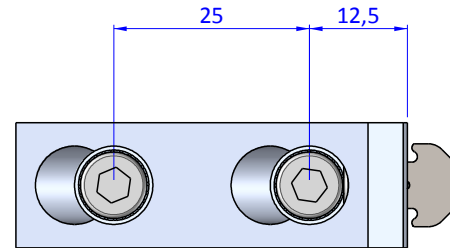
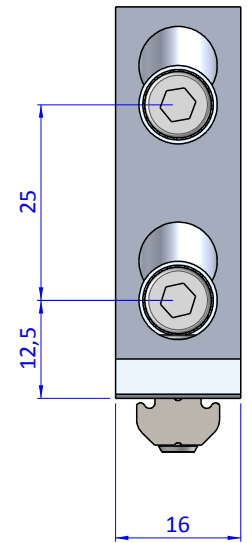
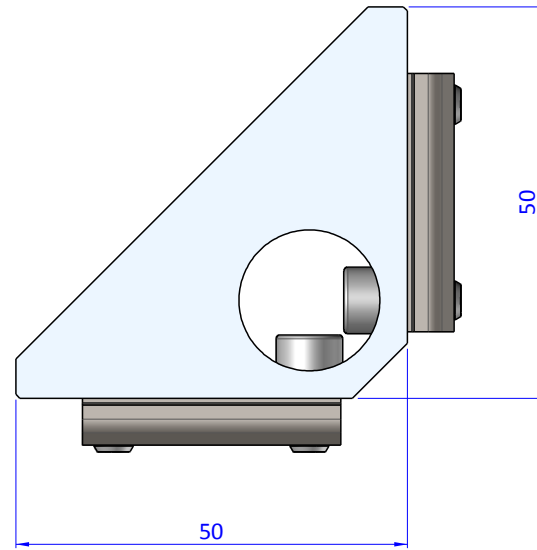
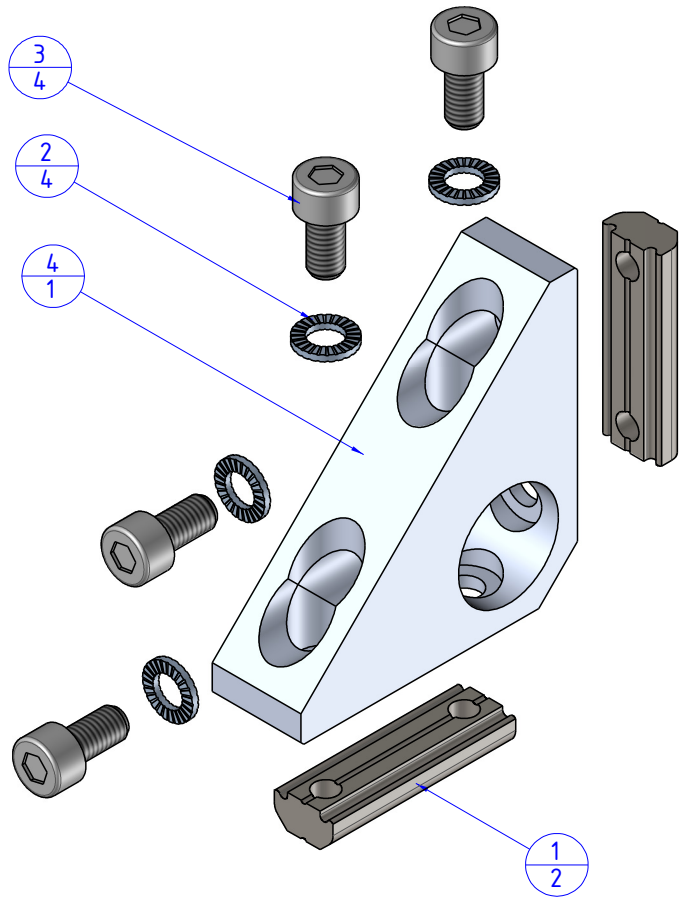


THE PROPERTY OF THE DRAWING IS ESTABLISHED BY LAW. IT IS FORBIDDEN TO PRODUCE OR SHOW IT TO THIRD PARTY, WITHOUT A WRITTEN AGREEMENT.

| Object Number | Name | QTY |
|---------------|-------------|-----|
| 1 | CA.GWP.5.25 | 2 |
| 2 | R.5.SCH | 4 |
| 3 | V.TCE5x10 | 4 |
| 4 | WIV.50.25 | 1 |



Format A3

UNI 936-76

| | | | | |
|-------------------|--|----------------|---------|----------------|
| | | DESIGNED FROM | | REVIEW |
| | | FPSERVICES | | A |
| GENERAL TOLERANCE | | DATE | WEIGHT | |
| UNI - ISO 2768 | | 06/06/2016 | 0,080kg | |
| CLASSE F | | CODE | | |
| | | CA.WIV.X.50.25 | | CA.WIV.X.50.25 |